



THERMATOUCH CONTROL

TT7V2-BK

The ThermaTouch Control is a 7" LCD Touchscreen Control used to operate other ThermaSol modules such as Steam Room functions, Light, Sound and Tranquility Visualization. The control is approx. 8-4/5" Wide X 6 – 1/8" High X 3 – 1/2" Deep. It requires a wall cutout 7-1/2" Wide X 5-1/2" High and must have a clear in wall depth of 3-1/2".

SHIPPING WEIGHT

Weight | 12 lbs.

Length | 13 in.

Width | 12 in.

Height | 9 in.

FEATURES

- Choose and download from a menu of popular Apps; shows, news, weather, video content, music and more
- Fully waterproof, ThermaTouch Plus can be installed anywhere: a shower, bathing area, patio, etc.
- Built-in Bluetooth® when paired with hydrovive
- Ethernet connection
- WiFi-enabled capabilities ensure that users automatically receive any updates to the software right to the controller, in-home after purchase.
- Powered by Android™
- Stereo audio output
- Alexa compatible
- Date and Time display
- Set steam time and temperature
- Set and control preferences for two users
- Operates: steam, digital shower, HydroVive light, sound and rain head.

SPECIFICATIONS

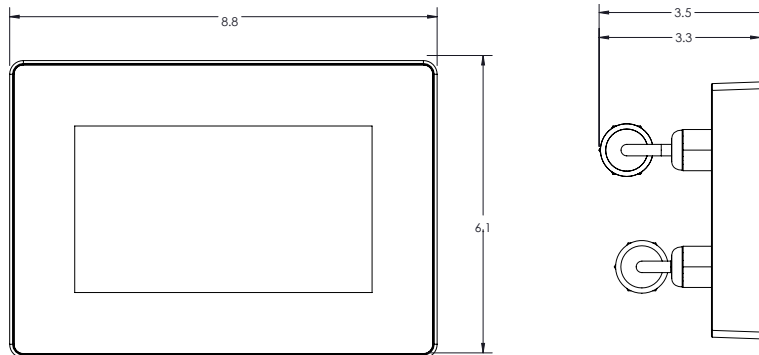
Construction | Acrylic

Controllability | Steam, Light & Sound, digital shower valve.

Audio Out | 3.5mm jack Connection

Power Supply | ThermaSol PDM (Included)

Display | 7" Wide LCD Touch Screen



INSTALLATION NOTES

- Refer to ThermaSol installation Instructions Doc No. 81300 for complete instructions.
- Requires wall cut out opening of 7-1/2" Wide X 5-1/2" High X 3-1/2" Deep. See instruction: 81301
- Ensure 3-1/2" clearance around all sides of the mud ring cutout for controller clearance from walls or fixtures
- Use Mud Ring for Tile installation and ThermaTouch Control placement (PN: 04-8544).
- Ensure 3-1/2" clearance behind the rear of the control for cable clearance.
- The control should be installed 60 inches from the floor and as far away from the steam outlet as possible.
- Power Distribution Module (PDM) Included requires 110VAC power